

# Saba's Workday Connector

In today's complex world of work, organizations use multiple best-of-breed applications to address their business needs. Organizations need to exchange relevant data, reliably and seamlessly across applications in order to get a holistic view of their workforce, perform accurate analysis and maximize ROI.

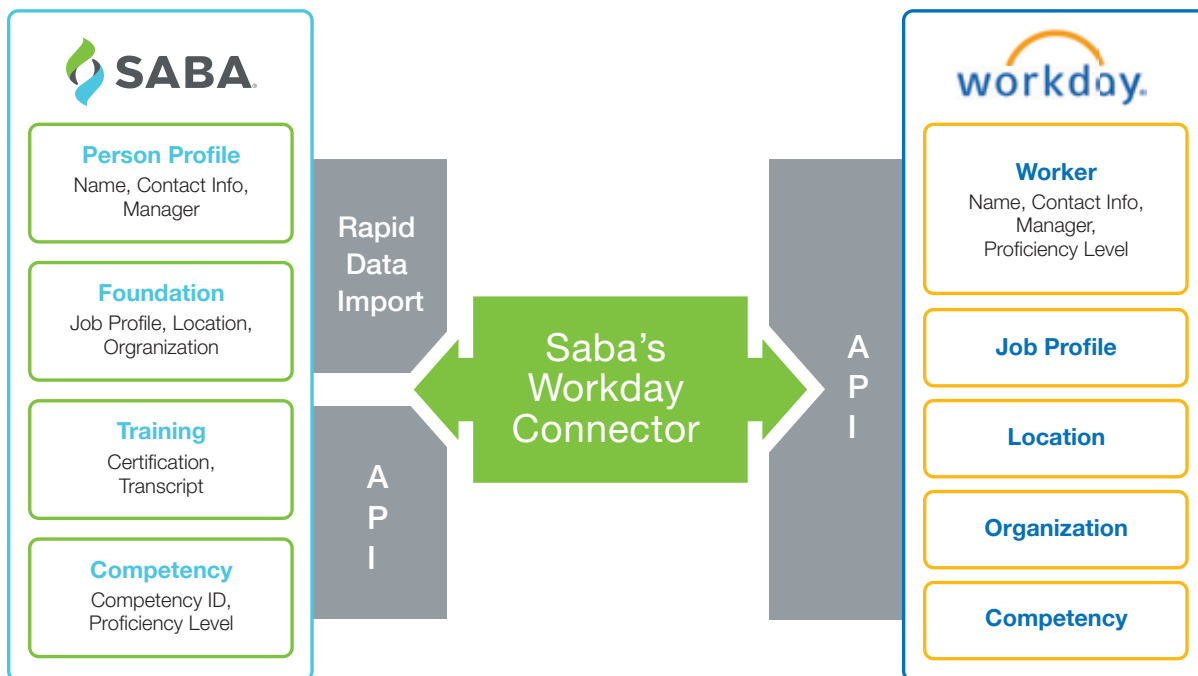
Saba's Connector for Workday, powered by the Saba Cloud platform, is designed to provide a bi-directional data exchange between Saba Cloud and Workday, using a simple drag, drop and done integration that is secure, easy and reliable.



*Drag, drop and done!*

## Saba Workday Connector Features

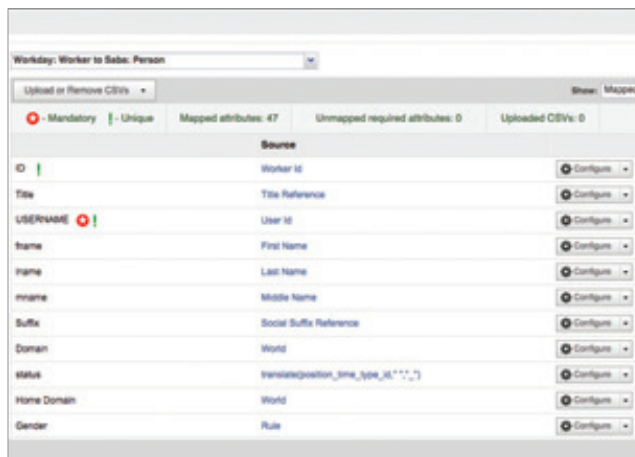
- **Worker Profile** – When a worker profile is created or updated in Workday, an associated person profile is created or updated in Saba.
- **Organization, Location, and Job Profile, and Job Family Data** – Changes to any of the above objects in Workday are automatically synchronized in Saba.
- **Competency Libraries and Competencies Achieved** – Competency libraries can be set up in Workday and synchronized to Saba. When an individual completes the requirements for a given competency, Saba will update the Workday worker profile with competency details.
- **Training and Certifications** – Any updates in Saba to an individual's certifications and course completions are synchronized to the worker profile in Workday.



Bi-directional data exchange between Saba and Workday

### Benefits

- Out-of-the-box data mapping best practices
- On-the-fly data transformation with Saba's data mapping tool
- Lower total cost of ownership by eliminating and/or reducing the need for third-party involvement
- Comprehensive monitoring capabilities
- Support for single sign-on (SAML 2.0 compliant)
- Customers can control data synchronization frequency
- Part of the Saba Cloud platform at no additional cost
- Certified by Workday; owned, maintained and supported by Saba



On-the-fly data transformation with Saba's data mapping tool



Saba delivers a cloud-based Intelligent Talent Management™ solution used by leading organizations worldwide to hire, develop, engage, and inspire their people. Intelligent Talent Management uses machine learning to offer proactive, personalized recommendations on candidates, connections, and content to help your employees and organization lead and succeed.

© 2014 Saba Software, Inc. All rights reserved. Saba, the Saba logo, and the marks relating to Saba products and services referenced herein are either trademarks or registered trademarks of Saba Software, Inc. or its affiliates. All other trademarks are the property of their respective owners.